

UBN



| | | |
|--|---|--|
| Ausführung construction | Bogen 90°, starres Außengewinde elbow 90°, rigid male thread | |
| Werkstoff material | Polyamid 6 polyamide 6 | |
| Temperatur temperature | -40°C - +105°C kurzz. / short term +150°C | |
| Schutzart protection | IP66 / 68 / IP69K | |
| gemäß according to | IEC EN 61386 | |
| Passende Wellrohre suitable corrugated conduits | alle all | |



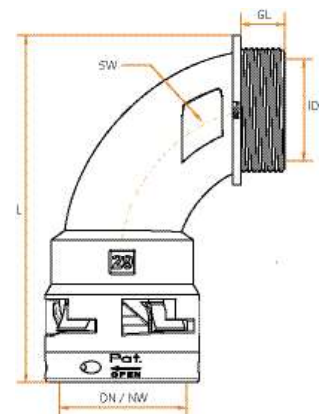
inkl. Gegenmutter
locknut included

Gewindeart metrisch

| Art. Nr. IP66 art. no. IP66 | Art. Nr. IP68 art. no. IP68 | Gewinde thread | NW DN | ID mm | GL mm | SW mm | L mm | VPE Stk. unit pcs. |
|--------------------------------|--------------------------------|-------------------|----------|----------|----------|----------|---------|-----------------------|
| U6*BN17M20 | U8*BN17M20 | M20 | 17 | 13,8 | 12 | 17,0 | 75,0 | 50 |
| U6*BN23M25 | U8*BN23M25 | M25 | 23 | 18,0 | 12 | 22,0 | 88,5 | 30 |
| U6*BN29M32 | U8*BN29M32 | M32 | 29 | 23,7 | 13 | 28,0 | 100,3 | 20 |
| U6*BN36M40 | U8*BN36M40 | M40 | 36 | 31,8 | 15 | 36,0 | 122,8 | 20 |
| U6*BN36M50 | U8*BN36M50 | M50 | 36 | 36,0 | 15 | 40,0 | 127,5 | 20 |
| U6*BN48M50 | U8*BN48M50 | M50 | 48 | 39,8 | 15 | 46,0 | 139,7 | 10 |
| U6*BN48M63 | U8*BN48M63 | M63 | 48 | 47,8 | 15 | 55,0 | 144,0 | 10 |

6B... = schwarz / black

6G... = grau / grey



Gewindeart NPT

| Art. Nr. IP66 art. no. IP66 | Art. Nr. IP68/69K art. no. IP68/69K | Gewinde thread | NW DN | ID mm | GL mm | SW mm | L mm | VPE Stk. unit pcs. |
|--------------------------------|--|-------------------|----------|----------|----------|----------|---------|-----------------------|
| U6*BN17N03 | U8*BN17N03 | 1/2" NPT | 17 | 13,8 | 13,5 | 17 | 75,5 | 50 |
| U6*BN23N04 | U8*BN23N04 | 3/4" NPT | 23 | 18,0 | 14,0 | 22 | 89,5 | 30 |
| U6*BN29N05 | U8*BN29N05 | 1" NPT | 29 | 23,7 | 17,3 | 28 | 101,3 | 20 |
| U6*BN36N06 | U8*BN36N06 | 1" 1/4 | 36 | 31,8 | 18,0 | 36 | 123,3 | 20 |
| U6*BN48N08 | U8*BN48N08 | 2" NPT | 48 | 47,8 | 19,0 | 55 | 144,0 | 10 |

Gewindeart PG

| Art. Nr. IP66 art. no. IP66 | Art. Nr. IP68 art. no. IP68 | Gewinde thread | NW DN | ID mm | GL mm | SW mm | L mm | VPE Stk. unit pcs. |
|--------------------------------|--------------------------------|-------------------|----------|----------|----------|----------|---------|-----------------------|
| U6*BN17P13 | U8*BN17P13 | PG13,5 | 17 | 13,8 | 12 | 17,0 | 75,0 | 50 |
| U6*BN17P16 | U8*BN17P16 | PG16 | 17 | 16,4 | 12 | 20,0 | 76,0 | 50 |
| U6*BN23P21 | U8*BN23P21 | PG21 | 23 | 21,7 | 12 | 26,0 | 90,0 | 30 |
| U6*BN29P29 | U8*BN29P29 | PG29 | 29 | 29,1 | 13 | 32,0 | 102,8 | 20 |
| U6*BN36P36 | U8*BN36P36 | PG36 | 36 | 36,0 | 13 | 40,0 | 125,0 | 20 |
| U6*BN48P48 | U8*BN48P48 | PG48 | 48 | 47,8 | 13 | 55,0 | 144,0 | 10 |