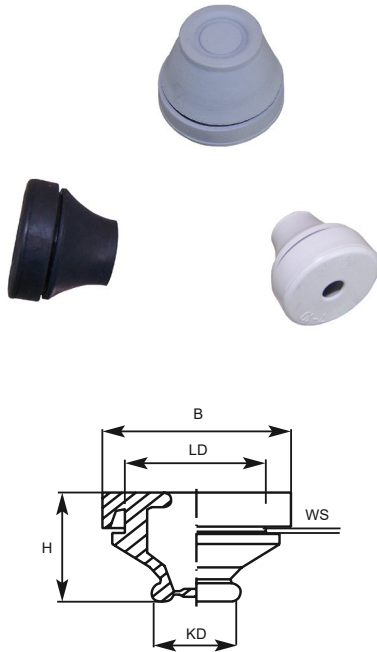


Ausführung construction	Kabeldurchführung cable grommet
Werkstoff material	EPDM / CR / SI / TPE
Temperatur temperature	EPDM / CR: -45°C - +120°C SI: -50°C - +200°C TPE: -40°C - +100°C
Schutzart protection	IP67



EPDM

Art. Nr. grau art. no. grey EPDM RAL7042	Art. Nr. schwarz art. no. black EPDM RAL9011	LD mm	KD mm	WS mm	B mm	H mm	VPE Stk. unit pcs.
DZ-EPDM12	DZ-EPDM12B	12,5	3,0 - 5,0	1,3 - 5,0	19,0	18,5	100
DZ-EPDM16	DZ-EPDM16B	16,5	5,0 - 7,0	1,3 - 5,0	23,0	18,5	100
DZ-EPDM20	DZ-EPDM20B	20,5	7,0 - 10,0	1,3 - 5,0	27,0	19,5	100
DZ-EPDM25	DZ-EPDM25B	25,5	10,0 - 14,0	1,3 - 5,0	32,0	19,5	100
DZ-EPDM32	DZ-EPDM32B	32,5	14,0 - 20,0	1,3 - 5,0	39,0	21,5	50
DZ-EPDM40	DZ-EPDM40B	40,5	20,0 - 26,0	1,3 - 5,0	47,0	24,0	25
DZ-EPDM50	DZ-EPDM50B	50,5	26,0 - 35,0	1,3 - 5,0	58,0	30,0	25
DZ-EPDM63	DZ-EPDM63B	63,5	35,0 - 40,0	1,3 - 5,0	69,0	45,0	10
DZ-EPDM80	DZ-EPDM80B	80,5	40,0 - 60,0	1,3 - 5,0	90,0	60,0	10

CR + SI

Art. Nr. schwarz art. no. black CR RAL9011	Art. Nr. rot art. no. red Silicone RAL3022	LD mm	KD mm	WS mm	B mm	H mm	VPE Stk. unit pcs.
DZ-CRM12B	DZ-SM12R	12,5	3,0 - 5,0	1,3 - 5,0	19,0	18,5	100
DZ-CRM16B	DZ-SM16R	16,5	5,0 - 7,0	1,3 - 5,0	23,0	18,5	100
DZ-CRM20B	DZ-SM20R	20,5	7,0 - 10,0	1,3 - 5,0	27,0	19,5	100
DZ-CRM25B	DZ-SM25R	25,5	10,0 - 14,0	1,3 - 5,0	32,0	19,5	100
DZ-CRM32B	DZ-SM32R	32,5	14,0 - 20,0	1,3 - 5,0	39,0	21,5	50
DZ-CRM40B	DZ-SM40R	40,5	20,0 - 26,0	1,3 - 5,0	47,0	24,0	25
DZ-CRM50B	DZ-SM50R	50,5	26,0 - 35,0	1,3 - 5,0	58,0	30,0	25
DZ-CRM63B	DZ-SM63R	63,5	35,0 - 40,0	1,3 - 5,0	69,0	45,0	10
DZ-CRM80B	DZ-SM80R	80,5	40,0 - 60,0	1,3 - 5,0	90,0	60,0	10

TPE

Art. Nr. grau art. no. grey TPE RAL7042	Art. Nr. hellgrau art. no. light grey TPE RAL7035	Art. Nr. schwarz art. no. black TPE RAL9011	LD mm	KD mm	WS mm	B mm	H mm	VPE Stk. unit pcs.
DZ-TPEM12	DZ-TPEM12G	DZ-TPEM12B	12,5	3,0 - 5,0	1,0 - 5,0	19,0	20,9	100
DZ-TPEM16	DZ-TPEM16G	DZ-TPEM16B	16,5	5,0 - 7,0	1,0 - 5,0	23,0	21,6	100
DZ-TPEM20	DZ-TPEM20G	DZ-TPEM20B	20,5	7,0 - 10,0	1,0 - 5,0	27,0	24,3	100
DZ-TPEM25	DZ-TPEM25G	DZ-TPEM25B	25,5	10,0 - 14,0	1,0 - 5,0	32,0	24,8	100
DZ-TPEM32	DZ-TPEM32G	DZ-TPEM32B	32,5	14,0 - 20,0	1,0 - 5,0	39,0	28,1	50
DZ-TPEM40	DZ-TPEM40G	DZ-TPEM40B	40,5	20,0 - 26,0	1,0 - 5,0	46,0	31,8	25
DZ-TPEM50	DZ-TPEM50G	DZ-TPEM50B	50,5	26,0 - 35,0	1,0 - 5,0	57,0	39,7	25
DZ-TPEM63	DZ-TPEM63G	DZ-TPEM63B	63,5	30,0 - 45,0	1,0 - 5,0	69,0	59,6	10
DZ-TPEM80	DZ-TPEM80G	DZ-TPEM80B	80,5	40,0 - 60,0	1,2 - 5,2	89,0	78,2	10

