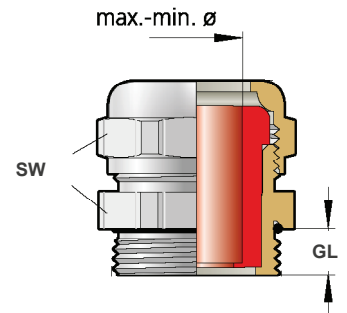


M-UNI-DICHT



Ausführung construction	Standard standard
Werkstoff material	Messing vernickelt nickel-plated brass
Dichtring sealing	TPE
Temperatur temperature	-40°C - +130°C
Schutzart protection	IP68
Besonderheit: specials:	Verschraubung mit Vollgummi-Dicht- einsatz. Cable gland with solid rubber clamping insert.



Gewindeart metrisch

Art. Nr. art. no.	Gewinde thread	für Kabel for cable	SW mm	GL mm	VPE Stk. unit pcs.
M-UNIM1206	M12	4,0 - 6,5	18	5,0	50
M-UNIM1208	M12	5,0 - 8,0	17	5,0	50
M-UNIM1209	M12	6,5 - 9,0	17	5,0	50
M-UNIM1606	M16	4,0 - 6,5	18	6,0	50
M-UNIM1608	M16	5,0 - 8,0	18	6,0	50
M-UNIM1609	M16	6,5 - 9,5	18	6,0	50
M-UNIM1610	M16	7,0 - 10,5	20	6,0	50
M-UNIM1613	M16	9,0 - 13,0	22	6,0	50
M-UNIM2006	M20	4,0 - 6,5	22	6,5	50
M-UNIM2008	M20	5,0 - 8,0	22	6,5	50
M-UNIM2009	M20	6,5 - 9,5	22	6,5	50
M-UNIM2010	M20	7,0 - 10,5	22	6,5	50
M-UNIM2013	M20	9,0 - 13,0	22	6,5	50
M-UNIM2015	M20	11,5 - 15,5	24	6,5	50
M-UNIM2018	M20	14,0 - 18,0	30	6,5	25
M-UNIM2020	M20	17,0 - 20,5	30	6,5	25
M-UNIM2506	M25	4,0 - 6,5	28	7,5	50
M-UNIM2508	M25	5,0 - 8,0	28	7,5	50
M-UNIM2509	M25	6,5 - 9,5	28	7,5	50
M-UNIM2510	M25	7,0 - 10,5	28	7,5	50
M-UNIM2513	M25	9,0 - 13,0	28	7,5	50
M-UNIM2515	M25	11,5 - 15,5	28	7,5	50
M-UNIM2518	M25	14,0 - 18,0	30	7,5	25
M-UNIM2520	M25	17,0 - 20,5	30	7,5	25
M-UNIM3210	M32	7,0 - 10,5	35	8,0	25
M-UNIM3213	M32	9,0 - 13,0	35	8,0	25
M-UNIM3215	M32	11,5 - 15,5	35	8,0	25
M-UNIM3218	M32	14,0 - 18,0	35	8,0	25
M-UNIM3220	M32	17,0 - 20,5	35	8,0	25
M-UNIM3225	M32	20,0 - 25,0	40	8,0	10
M-UNIM3228	M32	24,0 - 28,0	40	8,0	10
M-UNIM3232	M32	27,0 - 32,0	40	8,0	5
M-UNIM3234	M32	29,0 - 34,0	50	8,0	5
M-UNIM3236	M32	32,0 - 36,0	50	8,0	5

Art. Nr. art. no.	Gewinde thread	für Kabel for cable	SW mm	GL mm	VPE Stk. unit pcs.
M-UNIM4015	M40	11,5 - 15,5	43	8,0	10
M-UNIM4018	M40	14,0 - 18,0	43	8,0	10
M-UNIM4020	M40	17,0 - 20,5	43	8,0	10
M-UNIM4025	M40	20,0 - 25,0	43	8,0	10
M-UNIM4028	M40	24,0 - 28,0	43	8,0	10
M-UNIM4032	M40	27,0 - 32,0	50	9,0	5
M-UNIM4034	M40	29,0 - 34,0	50	9,0	5
M-UNIM4036	M40	32,0 - 36,0	50	9,0	5
M-UNIM5032	M50	27,0 - 32,0	54	10,0	5
M-UNIM5034	M50	29,0 - 34,0	54	10,0	5
M-UNIM5036	M50	32,0 - 36,0	54	10,0	5
M-UNIM5038	M50	33,0 - 38,0	57	10,0	5
M-UNIM5040	M50	36,0 - 40,0	57	10,0	5
M-UNIM6344	M63	39,0 - 44,0	68	10,0	5
M-UNIM6345	M63	40,0 - 45,0	81	16,0	1
M-UNIM6351	M63	45,0 - 51,0	81	16,0	1
M-UNIM6356	M63	51,0 - 56,0	81	16,0	1
M-UNIM7245	M72	40,0 - 45,0	81	15,0	1
M-UNIM7251	M72	45,0 - 51,0	81	15,0	1
M-UNIM7256	M72	51,0 - 56,0	81	15,0	1
M-UNIM7547	M75	42,0 - 47,0	81	15,0	1
M-UNIM7552	M75	45,0 - 52,0	81	15,0	1
M-UNIM7555	M75	51,0 - 55,0	81	15,0	1
M-UNIM7558	M75	54,0 - 58,0	81	15,0	1
M-UNIM8057	M80	50,0 - 57,0	95	15,0	1
M-UNIM8064	M80	58,0 - 64,0	95	15,0	1
M-UNIM8070	M80	63,0 - 70,0	95	15,0	1
M-UNIM9076	M90	69,0 - 76,0	120	20,0	1
M-UNIM9085	M90	75,0 - 85,0	120	20,0	1
M-UNIM10076	M100	69,0 - 76,0	120	25,0	1
M-UNIM10085	M100	75,0 - 85,0	120	25,0	1
M-UNIM10090	M100	76,0 - 90,0	120	25,0	1
M-UNIM120100	M120	90,0 - 100,0	145	30,0	1
M-UNIM120110	M120	100,0 - 110,0	145	30,0	1

Auf Anfrage
on request

Mehrfacheinsätze
multiple clamping inserts ✓

ungebohrte Dichteinsätze
undrilled inserts ✓

TPE-V Einsatz
TPE-V insert ✓

Silikon Einsatz
silicone insert ✓

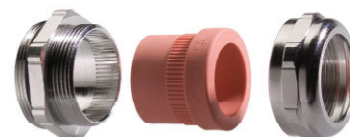
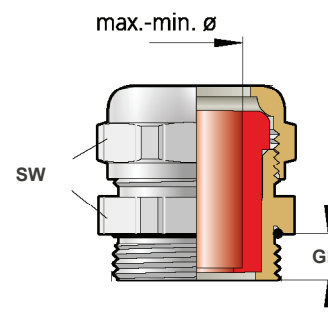
weitere Gewindelängen
more thread lengths ✓

EMV Ausführung
EMC type ✓

M-UNI-DICHT



Ausführung construction	Standard standard
Werkstoff material	Messing vernickelt nickel-plated brass
Dichtring sealing	TPE
Temperatur temperature	-40°C - +130°C
Schutzart protection	IP68
Besonderheit: specials:	Verschraubung mit Vollgummi-Dicht- einsatz. Cable gland with solid rubber clamping insert.



Gewindeart PG

Art. Nr. art. no.	Gewinde thread	für Kabel for cable	SW mm	GL mm	VPE Stk. unit pcs.
M-UNIP0706	PG7	4,0 - 6,5	14	5,0	50
M-UNIP0708	PG7	5,0 - 8,0	17	5,0	50
M-UNIP0709	PG7	6,5 - 9,5	17	5,0	50
M-UNIP0710	PG7	7,0 - 10,5	20	5,5	50
M-UNIP0906	PG9	4,0 - 6,5	17	6,0	50
M-UNIP0908	PG9	5,0 - 8,0	17	6,0	50
M-UNIP0909	PG9	6,5 - 9,5	17	6,0	50
M-UNIP0910	PG9	7,0 - 10,5	20	6,0	50
M-UNIP0913	PG9	9,0 - 13,0	22	6,0	50
M-UNIP1106	PG11	4,0 - 6,5	20	6,0	50
M-UNIP1108	PG11	5,0 - 8,0	20	6,0	50
M-UNIP1109	PG11	6,5 - 9,5	20	6,0	50
M-UNIP1110	PG11	7,0 - 10,5	20	6,0	50
M-UNIP1113	PG11	9,0 - 13,0	22	6,0	50
M-UNIP1115	PG11	11,5 - 15,5	24	6,0	50
M-UNIP1306	PG13,5	4,0 - 6,5	22	6,5	50
M-UNIP1308	PG13,5	5,0 - 8,0	22	6,5	50
M-UNIP1309	PG13,5	6,5 - 9,5	22	6,5	50
M-UNIP1310	PG13,5	7,0 - 10,5	22	6,5	50
M-UNIP1313	PG13,5	9,0 - 13,0	22	6,5	50
M-UNIP1315	PG13,5	11,5 - 15,5	24	6,5	50
M-UNIP1318	PG13,5	14,0 - 18,0	30	6,5	25
M-UNIP1320	PG13,5	17,0 - 20,5	30	6,5	25
M-UNIP1606	PG16	4,0 - 6,5	24	6,5	50
M-UNIP1608	PG16	5,0 - 8,0	24	6,5	50
M-UNIP1609	PG16	6,5 - 9,5	24	6,5	50
M-UNIP1610	PG16	7,0 - 10,5	24	6,5	50
M-UNIP1613	PG16	9,0 - 13,0	24	6,5	50
M-UNIP1615	PG16	11,5 - 15,5	24	6,5	50
M-UNIP1618	PG16	14,0 - 18,0	30	6,5	25
M-UNIP1620	PG16	17,0 - 20,5	30	6,5	25
M-UNIP1625	PG16	20,0 - 25,0	40	6,5	10
M-UNIP1628	PG16	24,0 - 28,0	40	6,5	10

Art. Nr. art. no.	Gewinde thread	für Kabel for cable	SW mm	GL mm	VPE Stk. unit pcs.
M-UNIP2110	PG21	7,0 - 10,5	30	7,0	25
M-UNIP2113	PG21	9,0 - 13,0	30	7,0	25
M-UNIP2115	PG21	11,5 - 15,5	30	7,0	25
M-UNIP2118	PG21	14,0 - 18,0	30	7,0	25
M-UNIP2120	PG21	17,0 - 20,5	30	7,0	25
M-UNIP2125	PG21	20,0 - 25,0	40	7,0	10
M-UNIP2128	PG21	24,0 - 28,0	40	7,0	10
M-UNIP2132	PG21	27,0 - 32,0	50	7,0	5
M-UNIP2134	PG21	29,0 - 34,0	50	7,0	5
M-UNIP2136	PG21	32,0 - 36,0	50	7,0	5
M-UNIP2913	PG29	9,0 - 13,0	40	8,0	10
M-UNIP2915	PG29	11,5 - 15,5	40	8,0	10
M-UNIP2918	PG29	14,0 - 18,0	40	8,0	10
M-UNIP2920	PG29	17,0 - 20,5	40	8,0	10
M-UNIP2925	PG29	20,0 - 25,0	40	8,0	10
M-UNIP2928	PG29	24,0 - 28,0	40	8,0	10
M-UNIP2932	PG29	27,0 - 32,0	50	8,0	5
M-UNIP2934	PG29	29,0 - 34,0	50	8,0	5
M-UNIP2936	PG29	32,0 - 36,0	50	8,0	5
M-UNIP3632	PG36	27,0 - 32,0	50	9,0	10
M-UNIP3634	PG36	29,0 - 34,0	50	9,0	10
M-UNIP3636	PG36	32,0 - 36,0	50	9,0	10
M-UNIP3638	PG36	33,0 - 38,0	57	9,0	5
M-UNIP3640	PG36	36,0 - 40,0	57	9,0	5
M-UNIP4236	PG42	32,0 - 36,0	57	10,0	5
M-UNIP4240	PG42	36,0 - 40,0	57	10,0	5
M-UNIP4844	PG48	39,0 - 44,0	64	10,0	5
M-UNIP4847	PG48	42,0 - 47,0	81	10,0	1
M-UNIP4852	PG48	45,0 - 52,0	81	10,0	1
M-UNIP4855	PG48	51,0 - 55,0	81	10,0	1
M-UNIP4858	PG48	54,0 - 58,0	81	10,0	1
M-UNIP4864	PG48	58,0 - 64,0	95	10,0	1
M-UNIP4870	PG48	63,0 - 70,0	95	10,0	1

Auf Anfrage
on requestMehrfacheinsätze
multiple clamping inserts ✓Silikon Einsatz
silicone insert ✓ungebohrte Dichteinsätze
undrilled inserts ✓weitere Gewindelängen
more thread lengths ✓TPE-V Einsatz
TPE-V insert ✓EMV Ausführung
EMC type ✓